
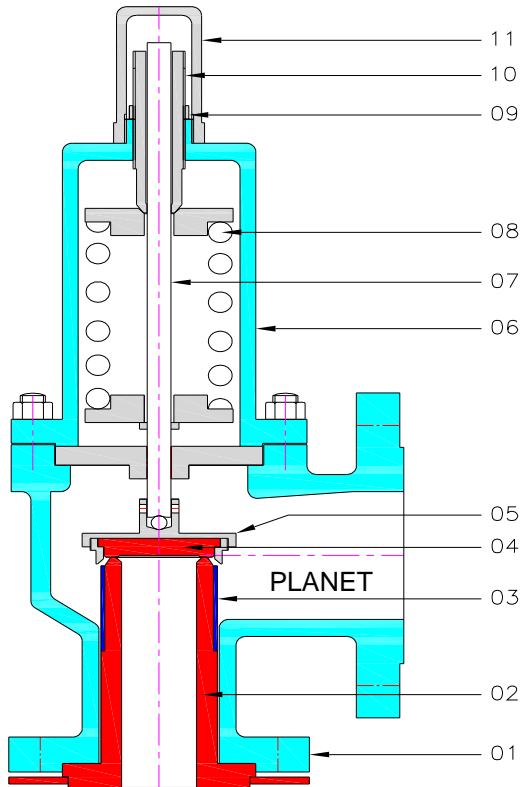


DATASHEET						Customer							
						Consultant							
						Contractor							
						Project							
GENERAL						SERVICE CONDITIONS					1		
TAG NO.	SRV-101					FLUID STATE			V		2		
PRODUCT SR.NO.	14394					APPLICATION			PRESSURE RELIEF		3		
SERVICE	OVER PRES RELIEF					FLOW -MIN/OP/MAX			Nm ³ /hr		4		
MAKE	PLANET VALVES					INLET PR. -MIN/OP/MAX			5.92		5		
MODEL NO.	RT-8004-FF-1-1					BACK PR. -MIN/OP/MAX			ATM		6		
PRODUCT CODE						TEMP. MIN/ OP/MAX			150 °C		7		
LINE/SCH/THICKNESS	3"	--	mm			TOTAL BACK PRESSURE			ATM		8		
P & ID NO.	--					SP.GRAVITY MOL.WT.					9		
						COMPRESSIBILITY FACTOR					10		
QUANTITY	01 No.					Cp/Cv					11		
						ALLOWABLE OVER PRESSURE			10%		12		
						ALLOWABLE BLOWDOWN			10%		13		
VALVE SIZE & CONNECTIONS						VALVE DESIGN					14		
SET PRESSURE	5.92		Kg/cm ² g			VALVE TYPE			CONVENTIONAL		15		
SET RANGE	5.0 TO 6.5		Kg/cm ² g			NOZZLE TYPE			FULL NOZZLE		16		
COLD DIFF. TEST PRESSURE	5.92		Kg/cm ² g			SEATING			PTFE		17		
						BONNET TYPE			CLOSED		18		
CALCULATED AREA			Inch ²			BONNET CONSTRUCTION			BOLTED		19		
SELECTED AREA	1.838		Inch ²			LIFTING LEVER			NO		20		
ORIFICE DESIGNATION	3 K 4					TEST GAG			NO		21		
						CAP			SCREWED		22		
INLET SIZE	80 NB - (3")										23		
INLET CONNECTION	FLANGED 150# RF SERR										24		
OUTLET SIZE	100 NB - (4")										25		
OUTLET CONNECTION	FLANGED 150# RF SERR										26		
Note :											27		
											28		
											29		
											30		
											31		
						P.O. NUMBER	#KESIPL-056--618-19						
						P.O. DATE	22-01-2020						
						QUOTATION NO.	PV-103/19-20						
						QUOTATION DATE	08-01-2020						
0	28/Jan	JP	PMJ	PMJ		ENQUIRY NO.	EMAIL						
REV	DATE	PRPD	CHKD	APRD	REMARK	ENQUIRY DATE	22-11-2019						
SAFETY RELIEF VALVE						 PLANET VALVES					PROJECT NO.	RT2179	SHEET
													1 OF 2
											DOC NO.	RT2179/14394	REV
													0

G A DRAWING

Customer	
Consultant	
Contractor	
Project	




BILL OF MATERIAL		
PART	ITEM	MOC
1	BODY	CS-A216 Gr WCB + PTFE COATING
2	NOZZLE	PTFE
3	SLEEVE	AISI 316L
4	DISC	GLASS FILLED TEFLON
5	DISC HOLDER	AISI 316L
6	BONNET	CS-A216 Gr WCB + PTFE COATING
7	STEM	AISI 316L
8	SPRING	STAINLESS STEEL
9	LOCK NUT	AISI 304
10	SETTING BOLT	AISI 304
11	CAP	AISI 304
	GUIDE	AISI 316L
	SPRING BUTTONS	AISI 316L
	GASKET	PTFE
	FASTNERS	AISI 304

Pressure Safety Valve - 3"ANSI 150# x 4" ANSI 150#

DIMENNSIONS (in mm)			
	OD	PCD	N
Inlet Flange	190.5	152.4	4
Outlet Flange	228.6	190.5	8
C1	166		
C2	155		
H	< 600 (Total Height)		
H1	100 (Top Clearance)		

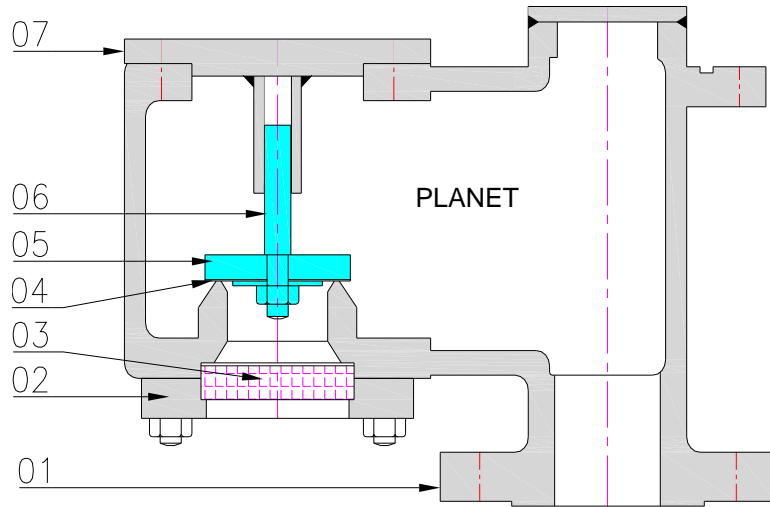
					P.O. NUMBER	#KESIPL-056--618-19
					P.O. DATE	22-01-2020
					QUOTATION NO.	PV-103/19-20
					QUOTATION DATE	08-01-2020
0	28/Jan	JP	PMJ	PMJ	ENQUIRY NO.	EMAIL
REV	DATE	PRPD	CHKD	APRD	REMARK	ENQUIRY DATE
						22-11-2019

SAFETY RELIEF VALVE	 PLANET VALVES	PROJECT NO.	RT2179	SHEET	2 OF 2
		DOC NO.	RT2179/14394	REV	0

DATA SHEET						Customer										
						Consultant		--								
						Contractor										
						Project		--								
GENERAL						SERVICE CONDITIONS				1						
TAG NO.		VRV-101		FLUID STORED		PREGNANT LEACH SOLUTION				2						
PRODUCT SR.NO.		14395		FLASH POINT						3						
SERVICE		VACCUM RELIEF		SERVICE CONDITIONS						4						
MAKE		PLANET VALVES		TANK VOLUME				M ³		5						
MODEL NO.		V100		TANK DESIGN PRE.				mmWCg		6						
TYPE		DEAD WEIGHT TYPE		TANK DESIGN VACU.				mmWCg		7						
PRODUCT CODE		--		OPERATING TEMP MAX		45		°C		8						
LINE SIZE INLET OUTLET		3" --								9						
P & ID NO.				PUMP IN RATE				NM ³ /Hr		10						
QUANTITY		01 NO		PUMP OUT RATE				NM ³ /Hr		11						
										14						
DESIGN DATA						CONSTRUCTION				15						
RELIEF SET PRES		-- mmWcg		BODY SIZE (mm)		80 NB - 3"				16						
BUILT UP		-		END CONNECTION		FLANGED RF SERR -				17						
PRE. RELIEVING CAPACITY		-- NM ³ /Hr				DRILLED TO ANSI 150#				18						
										19						
RELIEF SET VACU		(-) 50 mmWcg		FLAME ARRESTOR		NOT APPLICABLE				20						
BUILT UP		30%		DESIGN						21						
DESIGN VACU. RELIEVING CAPACITY		250 NM ³ /Hr		TYPE						22						
				ENDURANCE BURNING						23						
FLAME ARRESTOR PRE DROP		-- mBarg								24						
										25						
										28						
										42						
						P.O. NUMBER		#KESIPL-056--618-19								
						P.O. DATE		22-01-2020								
						QUOTATION NO.		PV-103/19-20								
						QUOTATION DATE		08-01-2020								
0	28/Jan	JP	PMJ	PMJ		ENQUIRY NO.		EMAIL								
REV	DATE	PRPD	CHKD	APRD	REMARK	ENQUIRY DATE		22-11-2019								
VACUUM RELIEF VALVE						 PLANET VALVES						PROJECT NO.		RT2179		SHEET
																1 OF 2
												DOC NO.		RT2179/14395		REV
																0

G A DRAWING

Customer	
Consultant	
Contractor	
Project	



VACUUM RELIEF VALVE 3" FLANGED ANSI 150#

BILL OF MATERIAL

PART	ITEM	MOC
01	BODY	CS-A216 Gr WCB + PTFE COATING
02	FA HOLDER	--
03	FA ELEMENT	--
04	DIAPHRAGM	PTFE
05	PALLET - VACUUM	HASTALLOY C
06	STEM - VACUUM	HASTALLOY C
07	COVER PLATE	CS + PTFE COATING

DIMENSIONS (in MM)

	OD	PCD	N
Inlet Flange	228.6	190.5	8
Outlet Flange	OPEN TO ATM.		
H	< 600 (Total Height)		
H1	100 (Top Clearance)		

						P.O. NUMBER	#KESIPL-056--618-19
						P.O. DATE	22-01-2020
						QUOTATION NO.	PV-103/19-20
						QUOTATION DATE	08-01-2020
0	28/Jan	JP	PMJ	PMJ		ENQUIRY NO.	EMAIL
REV	DATE	PRPD	CHKD	APRD	REMARK	ENQUIRY DATE	22-11-2019

VACUUM RELIEF VALVE



PROJECT NO.

RT2179

DOC NO.

RT2179/14395

SHEET

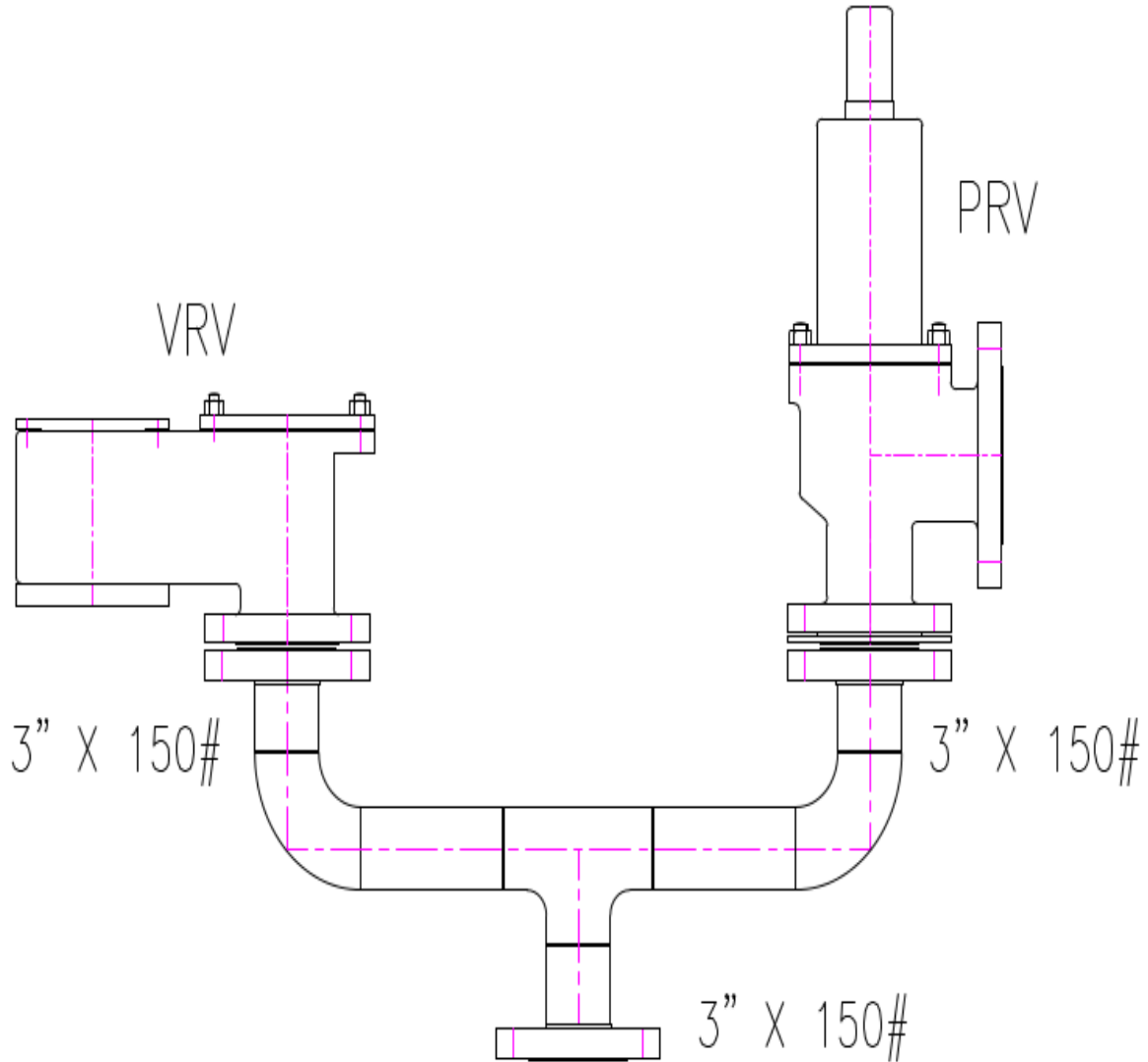
2 OF 2

REV

0

ASSEMBLY

Customer	
Consultant	
Contractor	
Project	



						P.O. NUMBER	#KESIPL-056--618-19
						P.O. DATE	22-01-2020
						QUOTATION NO.	PV-103/19-20
						QUOTATION DATE	08-01-2020
0	28/Jan	JP	PMJ	PMJ		ENQUIRY NO.	EMAIL
REV	DATE	PRPD	CHKD	APRD	REMARK	ENQUIRY DATE	22-11-2019

ASSEMBLY



PROJECT NO. RT2179

DOC NO. RT2179/ASSEMBLY

SHEET
2 OF 2

REV
0