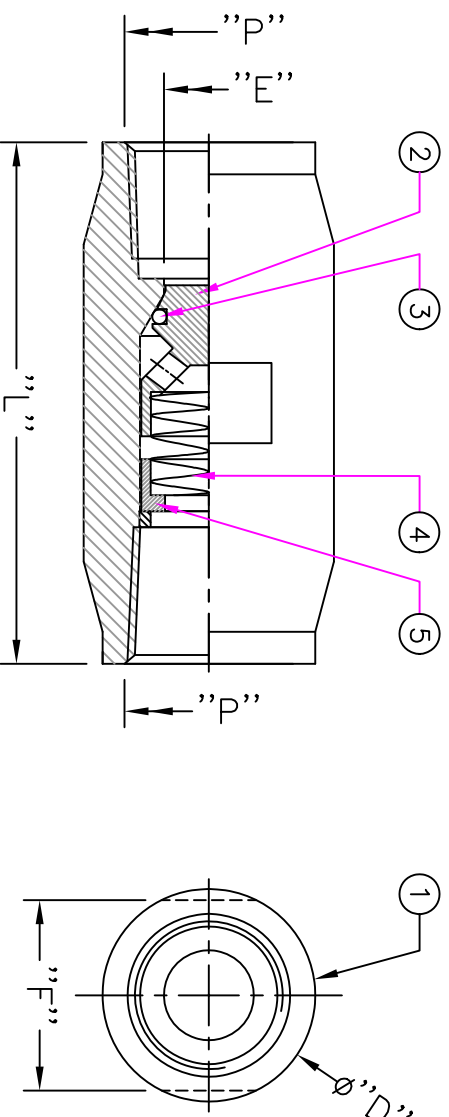


- NOTE:
- 1) NON RETURN VALVE SHALL BE 1.1/4" BSP(F) CONNECTION.
  - 2) WE SHALL CONDUCT CYCLE TEST OF 100 OPERATIONS IN OUR FACTORY BEFORE DESPATCH OF MATERIAL. THIS TEST CAN BE WITNESSED BY YOU.
  - 3) VALVE SHALL HAVE CRACKING PRESSURE OF 2 BAR & WORKING PRESSURE OF 6 Kg/cm<sup>2</sup> AND NO LEAKAGE WILL BE ALLOWED.
  - 4) MATERIAL OFFERED SHALL MEET BS 2874CA104
  - 5) MECHANICAL TESTING MIN. ELONGATION 17%.

PART No.	PART DESCRIPTION	MATERIAL	QTY
1	BODY	NICKEL ALUMINIUM BRONZE	1
2	PLUNGER	NICKEL ALUMINIUM BRONZE	1
3	O-RING	VITON	1
4	SPRING	MONEL 400	1
5	SPRING SUPPORT	MONEL 400	1



QTN. Sr. No.	"P" BSP(F)	"L" ±3.0	"ØD" ±3.0	"ØE" ±2.0	"F" FLAT ±2.0	TEST PRESSURE	CRACKING PR. ±0.2 BAR	MATERIAL	QTY
01	1-1/4"	110.0	55.0	22.0	50.0	18 BAR	2 BAR	NICKEL ALUMINIUM BRONZE	28 NOS.

Client Name : Lechler (India) Pvt. Ltd.

QTN. No. : PV-030/2019-20/Rev-II

QTN. Sr. No. :

Quantity : 28 NOS.

Material : AS PER TABLE

**TITLE** : CHECK VALVE  
**Description** : 1 1/4" BSP(F)

All Dimension Are In Millimeter (MM).

SCALE: NTS



TOLERANCE UNLESS SPECIFIED  
 INCH (0.00") ±0.019"  
 (0.000") ±0.007"

METRIC (0.0mm) ±0.50mm  
 (0.00mm) ±0.20mm

DRAWN: SAJITH.S

DATE: 18.02.2020

DRG.No. REV:02

EX12883

CHECKED:

APPROVED:



**PLANET VALVES**