

SUMMIT™

SWP & SWPM

SWP



SWPM

Wobble Pump

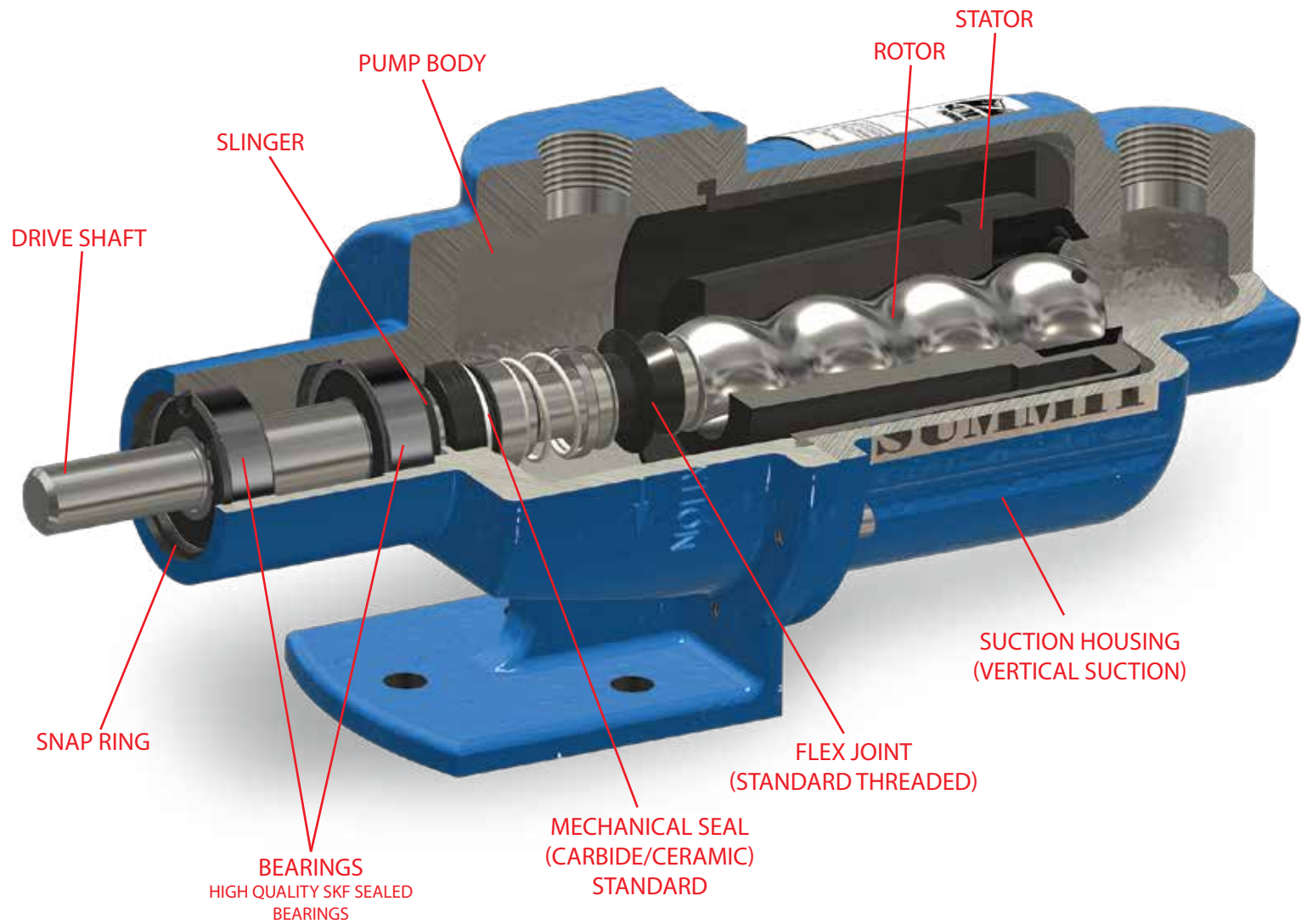


SUMMIT™
PUMP, Inc

www.SUMMITPUMP.com

© 2016 SUMMIT PUMP, Inc

Frame Mounted

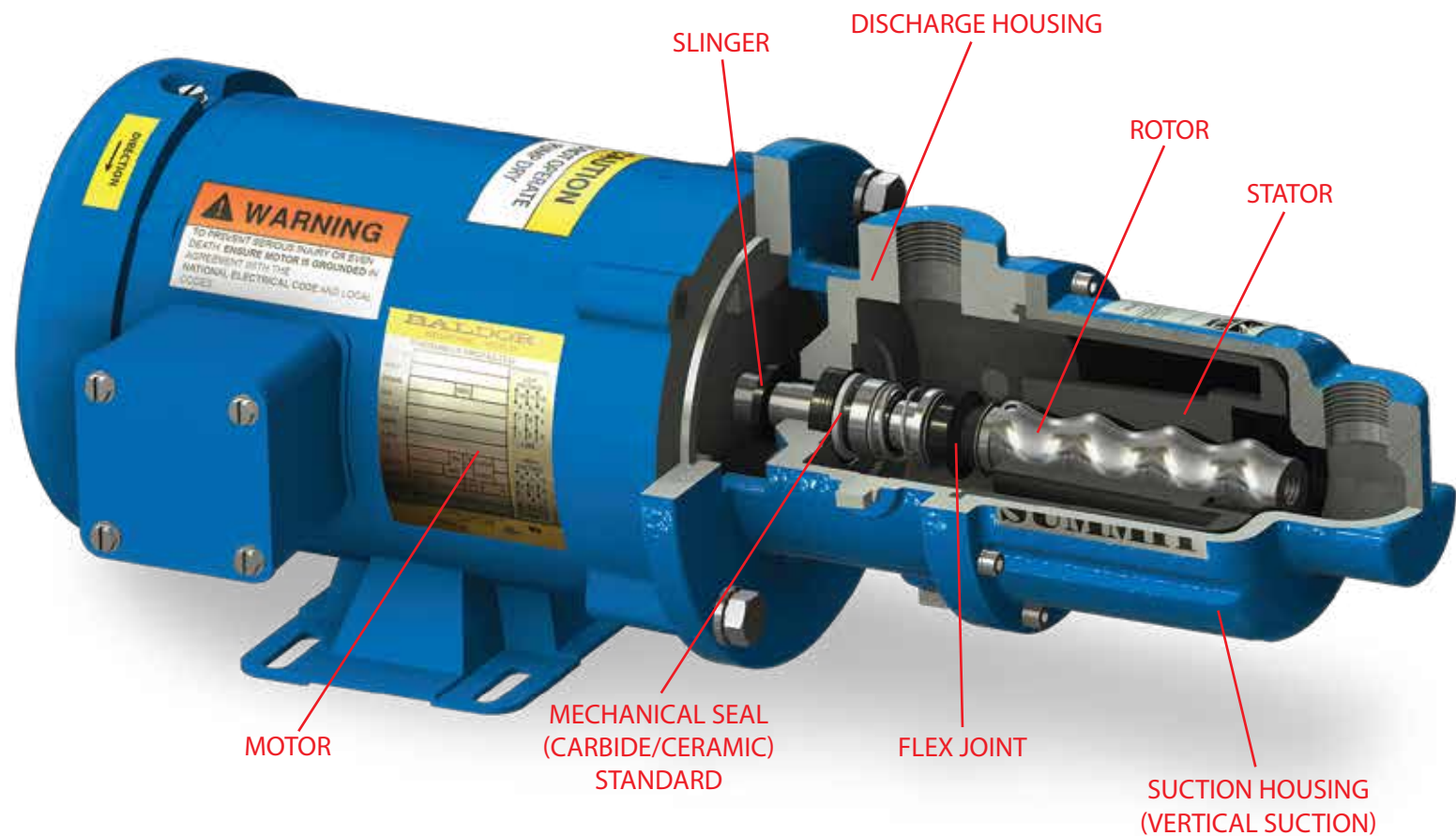


Applications

- Abrasives
- Waste & Water Treatment
- Oils and Lubricants
- Polymers
- Bilge Pumps
- Mobile Friendly Applications
- Chemical Slurries
- Irrigation
- Limestone Slurries
- Paint
- Sand
- Marine Applications

Features and Benefits

- SWP15, SWP22, SWP33, SWP44 and motorized versions have interchangeable rotors and stators with their respective sizes
- Numerous material options to precisely fit your application needs
- Pumps are simple and compact, perfect for mobile units or restrictive areas
- Capable of pumping viscous liquids
- Able to handle fluids with high solid content
- Self-Priming
- Suction lifts to 25 feet
- Continuous non-pulsing flow
- Smooth & quiet operation provides
- Motorized or non-motorized
- Metal rotor revolves inside a rubber stator generating the progressive pumping principle



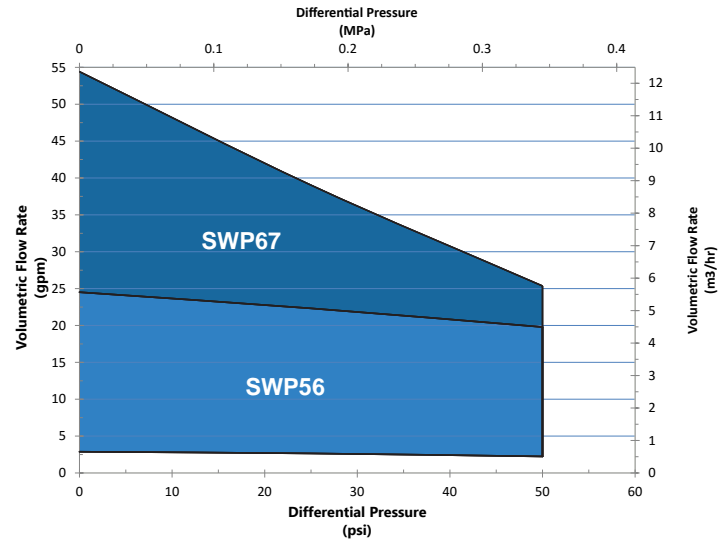
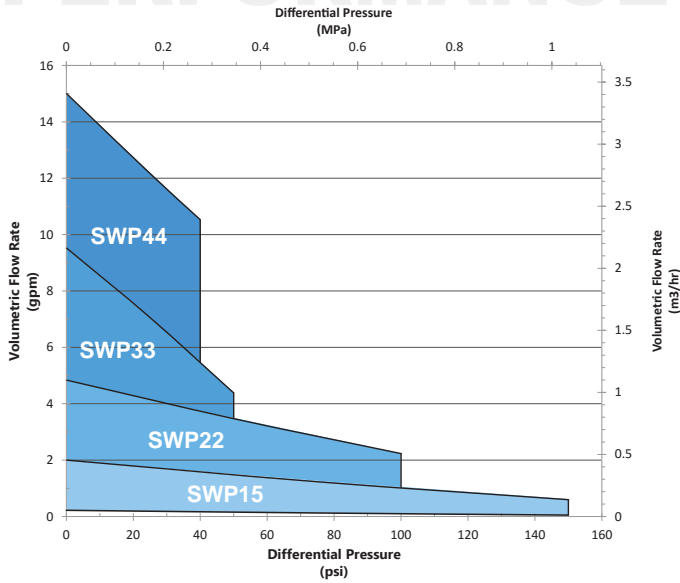
Close-Coupled



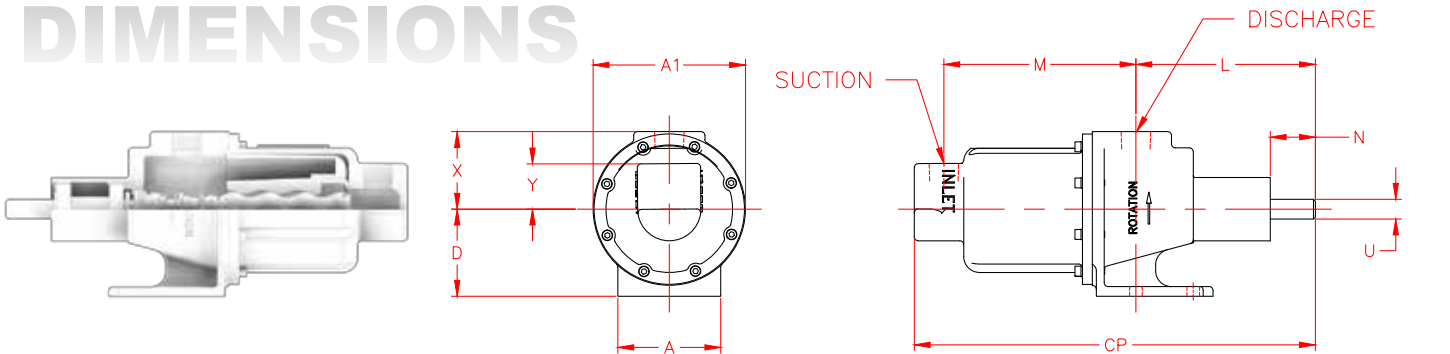
SUMMIT™
PUMP, Inc

www.SUMMITPUMP.com

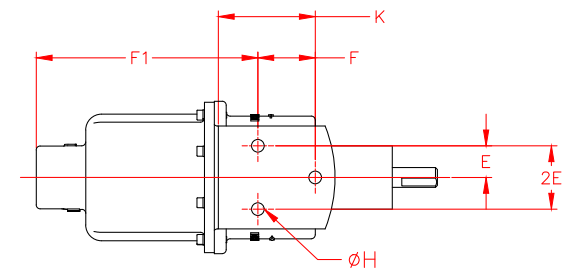
PERFORMANCE



DIMENSIONS



DIMENSIONAL CHART	PUMP SIZE (Frame Mounted only)		
	SWP15, SWP22 SWP33, SWP44	SWP56	SWP67
SUCTION	3/4"-14 NPT	1 1/2"-11 1/2 NPT	2"-11 1/2 NPT
DISCHARGE	3/4"-14 NPT	1 1/4"-11 1/2 NPT	2"-11 1/2 NPT
DIMENSIONS	(in)	(in)	(in)
A	3 1/4	6 1/2	5 3/8
A1	4 3/4	7 5/8	8
CP	12 5/8	17 1/2	20 15/16
D	2 3/4	4 1/4	4 1/2
E	1	1 3/4	2
2E	2	2 1/2	4
F	1 13/16	2	2 5/16
F1	7	10 9/16	13
H	13/32	13/32	9/16
K	3 1/16	3 1/2	3 3/4
L	5 11/16	7 3/8	7 15/16
M	6 1/16	8 5/8	11 1/8
N	1 7/16	2 3/8	2 3/16
U	5/8	3/4	1
X	2 7/16	3 25/32	4
Y	1 1/2	2 1/8	2 1/2



SUMMIT™
PUMP, Inc

www.SUMMITPUMP.com

E-Mail:
Sales@summitpump.com
Phone:
920-869-4800

Mailing address:
Summit Pump, Inc.
P.O. Box 12145
Green Bay, WI 54307